

**RIGID NON-PLASTICISED
PVC PIPES AND FITTINGS****Technical document No.°055-06**

Specifications applicable to the Discharge of Rainwater
intended for Siphonic Drainage Systems Group

Technical document: 055-06 rev 00
21/12/2018

CSTB (Centre Scientifique et Technique du Bâtiment), a public establishment supporting innovation in construction, has four key activities—research, expertise, assessment and dissemination of knowledge—organised to meet the challenges of ecological and energy transition in the construction sector. Its field of expertise includes construction materials, buildings and their integration into districts and towns.

With over 900 employees, its subsidiaries and networks of national, European and international partners, the CSTB group works for all the stakeholders in the construction sector to advance building quality and safety.

Any reproduction or representation, in whole or in part, by whatever means, of the pages published in this technical document and executed without the authorisation of CSTB is illegal and constitutes a counterfeit. The only authorised exceptions are 1) reproductions strictly reserved for the use of the typist and not intended for any collective use or 2) analyses and short quotations required due to the scientific or informational nature of the work in which they appear (article L.122-5 of the Intellectual Property Code). This document has been drawn up under the initiative and direction of CSTB, which has brought together the opinions of all interested parties..

© CSTB

MODIFICATION HISTORY

Revision no.	Application date	Modifications
00	21/12/2018	Update to the document layout and reference

Table of contents

Partie 1. CHAMP D'APPLICATION.....	5
1.1 LES NORMES DE REFERENCES ET SPÉCIFICATIONS COMPLÉMENTAIRES APPLICABLES.....	Erreur ! Signet non défini.
Partie 2. MODALITES DE MARQUAGE – REFERENCES A LA MARQUE NF.....	13
2.1 REPRODUCTION DU LOGO NF SUR LE PRODUIT CERTIFIE.....	13
2.2 REPRODUCTION DU LOGO NF SUR L'EMBALLAGE DU PRODUIT CERTIFIE NF	17
2.3 MARQUAGE DES CARACTÉRISTIQUES CERTIFIÉES ET ASSOCIÉES.....	18
2.4 REPRODUCTION DU LOGO NF SUR LA DOCUMENTATION ET DANS LES PUBLICITES (documents techniques et commerciaux, étiquettes, affiches, publicités, sites Internet, etc.....)	18
Partie 3. EXIGENCES QUALITE DU DEMANDEUR / TITULAIRE	19
3.1 OPTION MAÎTRISE DE LA QUALITE.....	19
3.2 OPTION MANAGEMENT DE LA QUALITE.....	20
Partie 4. MODALITES DE SURVEILLANCE PAR LE CSTB.....	21
4.1 MODALITES D'ESSAIS LORS D'UNE DEMANDE D'ADMISSION.....	21
4.2 MODALITÉS D'ESSAIS LORS DE LA SURVEILLANCE DES PRODUITS CERTIFIES.....	23

Part 1. SCOPE

This Technical Document deals with the Discharge of Rainwater intended for Siphonic Drainage Systems Group.

1.1 APPLICABLE REFERENCE STANDARDS AND COMPLEMENTARY SPECIFICATIONS

1.1.1 Reference standards

➤ Family - Solid-Wall PVC Pipes and Fittings

NF EN ISO 3126 (September 2005) Plastics piping systems — Plastics components — Determination of dimensions.

NF T 54-030 (December 1981) Plastics – Unplasticised polyvinyl chloride moulded fittings for domestic water drainage installations not subject to pressure — Specifications.

NF EN 1329-1 (July 1999) – Plastics piping systems for soil and waste discharge (low and high temperature) within the building structure – Unplasticized poly(vinyl chloride) (PVC-U) – Part 1: Specifications for pipes, fittings and the system.

1.1.2 Fields of application

The NF EN 1329-1 Standard specifies the requirements for the pipes and fittings indicated for drainage applications defined below:

The pipes and fittings in the discharge of rainwater intended for siphonic systems group are used only for producing drainage systems for rainwater using the siphon effect.

Using pipes and fittings from the discharge of rainwater intended for siphonic systems group for other applications is not permitted.

Fittings obtained by welding multiple elements (forming) are excluded from this Technical Document.

1.1.3 Complementary specifications

The reference specifications and test methods for the NF Mark Rigid Non-Plasticised PVC Pipes and Fittings are defined in the tables below. They are based on the abovementioned standards with possible additions or changes.

1.1.4 Admission ranges

The admission range presented during the 1st application must, at a minimum, include the following products:

Cases of pipes: 2 diameters

Cases of fittings: 3 types of fittings /DN and 2 DN minimum

This range may be produced on 1 or multiple sites with the same trade name.

This reference system is not intended to approve the consistency of diameters proposed to establish a functional network.

TABLE 1 - SOLID WALL PVC DISCHARGE OF RAINWATER, INTENDED FOR SIPHONIC SYSTEMS FAMILIES
Pipes and Fittings Specifications

Characteristics and Test methods (4)	Pipes	Fittings
Reference standard	NF EN 1329-1	NF T 54-030 ; NF EN 1329-1
Appearance	(1)	(1)
Marking		
Dimensions (2)	see table 3	see table 4
Socket depth		
Colour	Green (similar to RAL 6007)	
Density NF EN ISO 1183-1 Method A (2)	1370 to 1460 kg/m ³	
Vicat softening temperature NF EN 727 (2)	≥ 75°C (5)	
Tensile properties NF EN ISO 6259-1 and ISO 6259-2 (2)	TS ≥ 45 MPa	
Maximum stress	E ≥ 80%	
Elongation at break		
Reversion at 150°C NF EN ISO 2505 - (2)	R ≤ 5% No blisters	
Impact resistance Pipes: NF EN 744 - method (2)	TIR ≤ 10%	
Oven test at 150°C NF EN ISO 580 - method A (2)		(3)

- (1) The pipes and fittings may not have any defects visible to the naked eye such as scratches, marks, grains, cracks or air pockets that negatively impact use.

The pipes and fittings must be a homogeneous green colour similar to the colour RAL 6007.

The marking must be consistent with the requirements provided in Technical Document 2 discharge of rainwater intended for siphonic systems group.

- (2) With additional clarifications indicated in Part 2 of Technical Document 1.
- (3) The fittings may not have any openings along the entire thickness of their walls in any given welding line nor deterioration of the surface, penetrating more than 1/2 the thickness of the wall, particularly near an injection point.
- (4) The editions of the standards cited for use are those in force on the revision date of this certification reference system (see page 2 of this Technical Document), unless otherwise specified by the Mandated Body.
- (5) Siphonic systems being intended to convey exclusively rainwater, as explained in Standard NF EN 752, the reference to the Vicat temperature is Standard NF EN 12200, relating to gutter downspouts.

TABLE 2 - SOLID WALL PVC DISCHARGE OF RAINWATER, INTENDED FOR SIPHONIC SYSTEMS FAMILIES

Specifications for assemblies

Characteristics and Test methods (1)	Sealing ring assembly category		Solvent welding assembly category
	FIXED	SLIP	
Assembly composition and dimensional characteristics	NF EN 1329-1 (table 11)	NF EN 1329-1 (table 15)	NF EN 1329-1
Leaktightness under negative pressure (3)	NF EN 13844 (15 to 25°C, without deviation or deformation)		
Quality of elastomer sealing rings NF EN 681-1 (2)	NF EN 681-1		

- (1) The editions of the standards cited for use are those in force on the revision date of this certification reference system (see page 2 of this Technical Document), unless otherwise specified by the Mandated Body.
- (2) Ozone resistance test: Rubber sealing elements that are protected and packaged separately until the time of their assembly must meet the same requirements, except using an ozone concentration of (25 ± 5) pphm instead of (50 ± 5) pphm.
- (3) Tests can be carried out on pipes and fittings from TD2 with the same dimensional characteristics.

Criteria: The change in negative pressure must be less than or equal to 0.05 bar during the first and second 15 min periods (table 1 of Standard NF EN 1452-5 / clause 4.5).

TABLE 3 - SOLID-WALL PVC DISCHARGE FAMILY
Dimensional characteristics of pipes with plain ends or sleeves

In accordance with NF EN ISO 3126 and NF EN 1329-1

- Length Tolerances: $\pm 1\%$ for $L < 5$ m
 ± 5 cm for $L \geq 5$ m

- Socket: according to NF EN 1329-1 (only sockets for solvent-welding),

- Other dimensions

Average external diameter DN (mm)	Nominal Thickness th (mm)	Tolerances (mm)			on Dq (1) (mm)
		on DN	Thicknesses		
			th min	th max	
32	3.0	$\begin{matrix} +0.2 \\ 0 \end{matrix}$	3.0	3.5	± 0.5
40	3.0	$\begin{matrix} +0.2 \\ 0 \end{matrix}$	3.0	3.5	± 0.5
50	3.0	$\begin{matrix} +0.2 \\ 0 \end{matrix}$	3.0	3.5	± 0.6
63	3.0	$\begin{matrix} +0.2 \\ 0 \end{matrix}$	3.0	3.5	± 0.8
75	3.0	$\begin{matrix} +0.3 \\ 0 \end{matrix}$	3.0	3.5	± 0.9
80	3.0	$\begin{matrix} +0.3 \\ 0 \end{matrix}$	3.0	3.5	± 1.0
90	3.0	$\begin{matrix} +0.3 \\ 0 \end{matrix}$	3.0	3.5	
100	3.0	$\begin{matrix} +0.3 \\ 0 \end{matrix}$	3.0	3.5	
110	3.2	$\begin{matrix} +0.3 \\ 0 \end{matrix}$	3.2	3.8	
125	3.2	$\begin{matrix} +0.3 \\ 0 \end{matrix}$	3.2	3.8	
140	3.5	$\begin{matrix} +0.4 \\ 0 \end{matrix}$	3.5	4.1	
160	4.0	$\begin{matrix} +0.4 \\ 0 \end{matrix}$	4.0	4.6	
200	4.9	$\begin{matrix} +0.5 \\ 0 \end{matrix}$	4.9	5.6	
250	6.2	$\begin{matrix} +0.5 \\ 0 \end{matrix}$	6.2	7.1	

(1) Any external diameter (Da)

TABLE 4 - SOLID-WALL PVC DISCHARGE FAMILY
Dimensional characteristics common to the fittings

Dimensional characteristics common to the fittings								
DN	Spigot			Socket			Thickness (min)	
	Average External Diameter tolerances	Max. variation of a given diameter	Length of socket h	Average Internal Diameter tolerances	Maximum out-of-roundness	Socket depth L (1) (3)	Body of the fitting	Socket and Spigots (2)
	(mm)	(mm)	(mm)	(mm)	(mm)	(mm)	(mm)	(mm)
32	+0/+0.2	0.5	≥22	+0.2/+0.4	0.35	22	3	2.0
40	+0/+0.2	0.5	≥26	+0.2/+0.4	0.45	26	3	2.0
50	+0/+0.2	0.6	≥31	+0.2/+0.4	0.55	31	3	2.0
63	+0/+0.2	0.8	≥37.5	+0.2/+0.4	0.7	37.5	3	2.0
75	+0/+0.3	0.9	≥43.5	+0.2/+0.5	0.8	43.5	3	2.0
80	+0/+0.3	1.0	≥46	+0.2/+0.5	0.9	46	3	2.3
90	+0/+0.3	1.1	≥51	+0.2/+0.5	1	51	3	2.3
100	+0/+0.3	1.2	≥56	+0.2/+0.5	1.1	56	3	2.3
110	+0/+0.3	1.4	≥60	+0.3/+0.6	1.2	≥ 60	3.2	2.4
125	+0/+0.3	1.5	≥60	+0.3/+0.6	1.4	≥ 60	3.2	2.4
140	+0/+0.4	1.7	≥60	+0.4/+0.7	1.55	≥ 60	3.2	2.4
160	+0/+0.4	2.0	≥60	+0.4/+0.7	1.75	≥ 60	3.2	2.4
200	+0/+0.5	2.4	≥ 60	+0.4/+0.9	2.2	≥ 60	3.9	2.9
250	+0/+0.5	3	≥ 60	+0.4/+0.9	2.75	≥ 60	4.9	3.7

- (1) **Socket depth tolerances**
+0/+2 (mm) for $\varnothing \leq 100$
- (2) **Thickness of the sockets for solvent welding and the spigot**
 $\varnothing \leq 75$ mm : th ≥ 2 mm
 $\varnothing > 75$ mm : th ≥ 0.75 times the thickness of the body
- (3) **Socket depths must be checked using go/no-go plug gauges; inspecting the socket depth of a fitting must be carried out in order to ensure functionality of the fitting.**

For solvent-weld fittings and sealing ring fittings, a 5% reduction in the thickness of the walls caused by core offset is permitted. In such cases, the average of the thicknesses of the 2 opposing walls must be equal to or greater than the abovementioned values.

Other dimensions

Fittings defined in this technical document from captive, non-interchangeable systems: no Z-length is required, in accordance with chapter 6.3.5 "Design lengths" of Standard NF EN 1329-1.

The design length(s) (Z-length) of fittings must be provided by the manufacturer.

SOLID-WALL PVC DISCHARGE FAMILY

Dimensional characteristics of fittings (dimensions and tolerances in mm)

SOLVENT WELDING ASSEMBLY

Figures 8 and 9 in Standard NF EN 1329-1

Elbows 45° FF (Female-Female)

Elbows 45° MF (Male-Female)

(Fields of application: see page 3)

SOLID-WALL PVC DISCHARGE FAMILY

Dimensional characteristics of fittings (dimensions and tolerances in mm)

SOLVENT WELDING ASSEMBLY

Figures 10 and 11 in Standard NF EN 1329-1

Elbows 90° FF (Female-Female)

Elbows 90° MF (Male-Female)

(Fields of application: see page 3)

SOLID-WALL PVC DISCHARGE FAMILY

Dimensional characteristics of fittings (dimensions and tolerances in mm)

SOLVENT WELDING ASSEMBLY

Figures 14 and 15 in Standard NF EN 1329-1

Equal wyes 45° FFF

Equal wyes 45° MFF

Reducing wyes 45° FFF

Reducing wyes 45° MFF

(Fields of application: see page 3)

SOLID-WALL PVC DISCHARGE FAMILY

Dimensional characteristics of fittings (dimensions and tolerances in mm)

SOLVENT WELDING ASSEMBLY

Figure 13 in Standard NF EN 1329-1

Reducing eccentric sleeve couplings MF (Male-Female) and reducing plugs MF (Male-Female)

Short reducers MF (Male-Female)

(Field of application: see page 3)

SOLID-WALL PVC DISCHARGE FAMILY

Dimensional characteristics of fittings (dimensions and tolerances in mm)

SOLVENT WELDING ASSEMBLY

Figure 12 of Standard NF EN 1329-1

Equal sleeve couplings with stop and/or slip FF (Female-Female)

(Fields of application: see page 3)

TABLE 5 - SOLID-WALL PVC DISCHARGE FAMILY

Dimensional characteristics of fittings (dimensions and tolerances in mm)

SLIP ASSEMBLY WITH SEALING RING

(NF T 54-030 AND NF EN 1329-1; TABLE 15)

(Fields of application: see page 3)

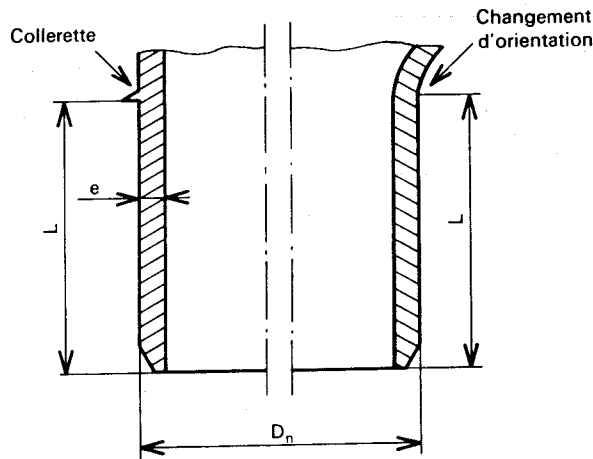


Figure 1 - Bout mâle

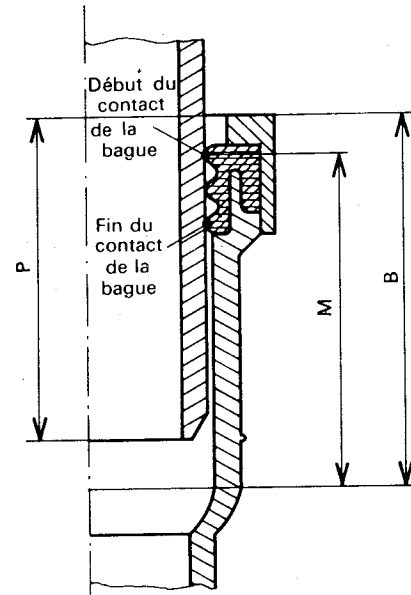


Figure 3 - Assemblage.

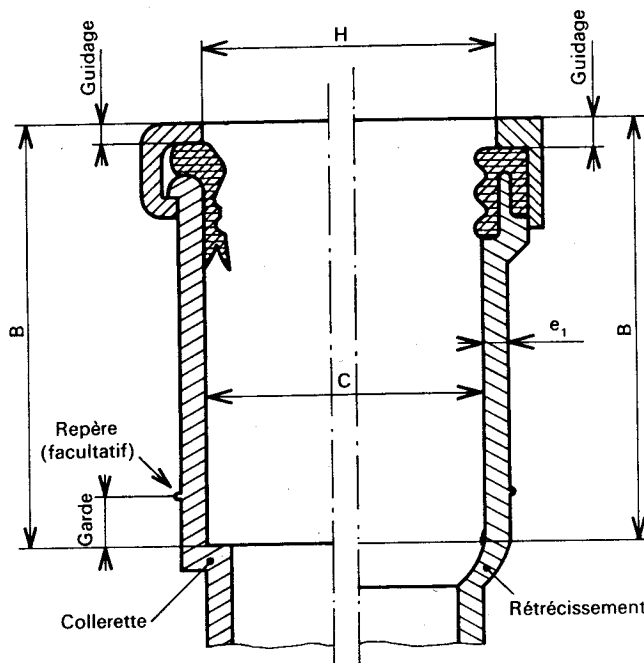


Figure 2 - Emboîture et bague de joint

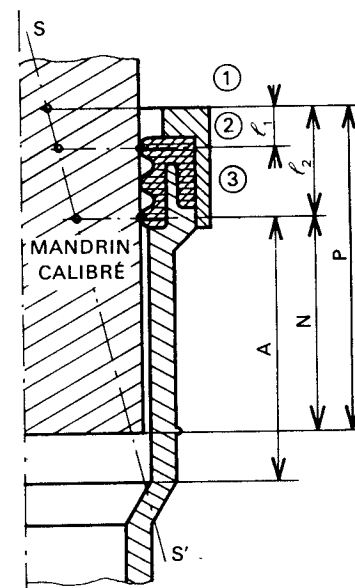


Figure 4 - Utilisation du mandrin calibre (ou calibre)

Diagram taken from Standard NF T 54 031, withdrawn on June 2002

These diagrams are provided for informational purposes regarding the shape of the seal; other designs may be considered.

Reuse the previous tables concerning outlet fittings for solvent welding assembly, replacing the information relating to the sockets with the below specifications.

In particular, in the case of expansion sleeves, the dimensions of the spigots are those of the fittings for solvent welding.

Maximum offset 6°.

Nominal diameter	Average internal diameters		Depth			
	of sockets (minimum)	Guiding H tolerances: +1.6 0	Socket maximum	Chamber minimum	Chamber penetration minimum	Minimum thickness of walls
D	C		B	A	N	(th)
32	32.3	32.3	115	65	50	2.0
40	40.3	40.3	115	65	50	2.0
50	50.3	50.3	115	65	50	2.0
63	63.3	63.3	115	65	50	2.0
75	75.3	75.3	115	65	50	2.3
90	90.3	90.3	115	65	50	2.3
100	100.4	100.4	115	65	50	2.3
110	110.4	110.4	115	65	50	2.4
125	125.4	125.4	115	65	50	2.4
140	140.5	140.5	115	65	50	2.4
160	160.5	160.5	115	65	50	2.4
200	200.5	200.5	115	65	50	2.9
250	250.5	250.5	115	65	50	3.7

The corresponding assembly dimensions are not standardised and are thus left to the manufacturer. They cannot be less than those of the fittings for solvent welding assembly.

Part 2. MARKING CONDITIONS – REFERENCING THE NF MARK

This Technical Document specifies the conditions of marking and referencing the NF Mark provided in the certification reference system of the NF Mark - Rigid Non-Plasticised PVC Pipes and Fittings.

2.1 REPRODUCING THE NF LOGO ON THE CERTIFIED PRODUCT

2.1.1 General

The NF logo shall ensure the identification of each certified product.

The trade reference of the certified product must be reserved for the NF mark.

The manufacturer must not use the NF mark except to single out certified products without there being any risk of confusion whatsoever.

The logo's graphic tools are available from the CSTB Technical Department (Tel.: +33 (0)1 64 68 89 52 – E-mail: certification@cstb.fr).

It is recommended that the holder remit to CSTB, in advance, all the documents upon which the NF mark appears.

The NF logo, constituting certification identification by a third party with regards to the reference standards cited on page 2 of this Technical Document, must be affixed in accordance with the conditions defined in those standards.

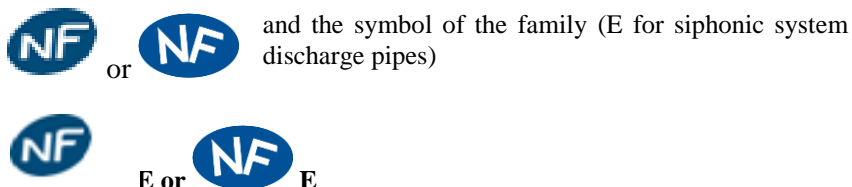
The black and white version of the NF logo can be used.

2.1.2 Marking pipes and fittings




2.1.2.1 Marking pipes

Marking of pipes must be carried out in a way that is visible and indelible and which can be read by the naked eye, on a generatrix and contain, every meter or less, the following set of information:

- ① - the trademark or symbol filed by the manufacturer with the mandated bodies.
- ② - the manufacturer's identification number assigned upon notification of admission and possibly the production site designated upon notification of admission (if there are multiple factories).
- ③ - the monogram



Holders have the option to use:

- Either the new logo  followed by the letter E, as follows:  E
- Or, as an exception, when using the logo  creates technical and/or material difficulties, the old logo



The black and white version of the NF logo can be used.

The new certified products shall comply with the NF graphic charter in force.

Note: a negative version of the logo can be used.

- ④ - the material identification symbol: PVC
- ⑤ - the pipe dimensions:
 - for the siphonic systems Discharge family:
 - nominal external diameter x nominal thickness (or minimum) and the name "SIPHONIC".
- ⑥ - mark for production identification: date (dd/mm/yy) or day number and year of manufacture (xxx/yy) (or batch no. indicating the manufacturing date: in this case, the definition of this number must be sent to the mandated body).

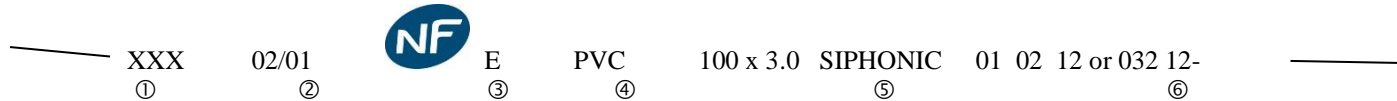
Note: the choice of marking method is left to the manufacturer. Any other additional marking is permitted on the condition that the sequence of NF information is not broken and it causes no confusion during use; in this case, the sequence of NF information must be framed by three lines of approximately 3 cm.

Unless specifically authorised by the mandated body after consultation with the Application Committee, double-marking products is prohibited when marking relates to an application that is not covered by the mark.

Examples:

Discharge Group

Pipes for discharge of rainwater intended for siphonic systems



2.1.2.2 Marking fittings

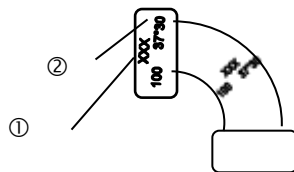
b.1. Mandatory information on fittings

For fittings with diameters ≤ 50 mm

Each fitting must bear the following information, marked indelibly:

- ① - trademark or symbol filed by the manufacturer with the mandated bodies.
- ② - nominal dimensions (in the case of a single fitting or a reducing fitting; in the latter case, the order indicated for the designation must be followed).
- values of connection angles.

Example:



If multiple trademarks are filed with the mandated bodies, the identification number of the manufacturer, assigned upon notification of admission, must be mentioned in addition to the above information.


For fittings with diameters > 50 mm

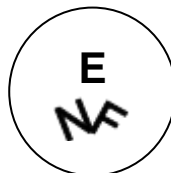
Each fitting must bear the following information, marked indelibly:

- ① - trademark or symbol filed by the manufacturer with the mandated bodies.
- ② - nominal dimensions (in the case of a single fitting or a reducing fitting; in the latter case, the order indicated for the designation must be followed).
- values of connection angles.
- ③ - NF monogram and family symbol arranged as shown below, notwithstanding the NF mark's graphic charter.

Holders have the option to use:

- Either the new logo  followed by the letter E, as follows:  E

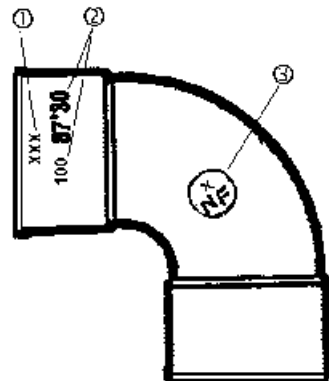
- Or, as an exception, when using the logo  creates technical and/or material difficulties, the following monogram:



The black and white version of the NF logo can be used.

In cases of FF sleeve couplings or if moulding conditions do not allow marking of the NF monogram described above, this is optional, unless using the monogram  E is possible.

Example:



If multiple trademarks are filed with the mandated bodies, the identification number of the manufacturer, assigned upon notification of admission, must be mentioned in addition to the above information.

Note: the location of the marking and the methods used are left to the manufacturer. Any other additional marking is permitted on the condition that its location is separate from the NF marking and it causes no confusion during use.

b.2. Additional recommended information on fittings (optional)

Each fitting may bear the following information:

- the symbol identifying the material (PVC),
- a mark for production identification.

b.3. Marking primary packaging (Mandatory information)

Primary packaging must include the following indelibly marked information:

- . Company name and/or trademark filed,
- . Symbol identifying the material,
- . NF monogram as defined below:

 E or  E +  M1 or  E +  Me if the holder also has the reaction to fire NF mark

The black and white version of the NF logo can be used.

2.1.2.3. *Cases of pipes and fittings that can belong to 2 families of this mark or covered by other NF marks or another certification*



Some products can be included in other domains of the NF mark: Mark – NF Reaction to Fire of materials intended for buildings (PVC pipes and fittings).



Products holding other Fire NF marks can be marked with the corresponding logos from the reference systems in question.


a) The marking principles are as follows:

b) Cases of pipes

Pipes admitted to the NF mark - PVC Pipes and Fittings for the PVC Discharge families the material of which is classified M1 or Me as part of the NF mark - Reaction to Fire: the marking on pipes is completed as follows, by the "+" sign and the logo NF M1 or NF Me:

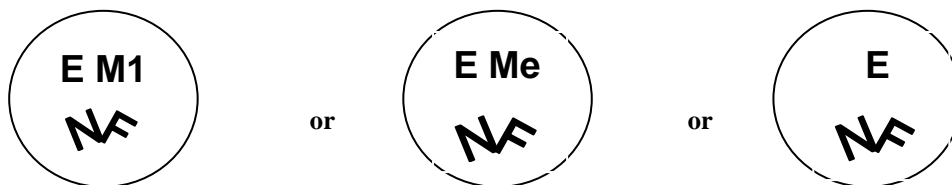
____ XXX 02/02  E +  M1 PVC 100 x 3.0 SIPHONIC 01 02 11 or 032 11 _____

____ XXX 02/02  E +  Me PVC 100 x 3.0 SIPHONIC 01 02 11 or 032 11 _____

____ XXX 02/02  E PVC 100 x 3.0 SIPHONIC 01 02 11 or 032 11 _____

c) Case of fittings

Fittings admitted to the NF mark - PVC Pipes and Fittings for the PVC Discharge families, the material of which is classified M1 or Me as part of the NF mark - Reaction to Fire: the NF monogram and the symbol of the family as well as the NF mark - Reaction to Fire must be present as indicated below, all general marking principles (paragraph 2.1.2) being unchanged.



2.2 REPRODUCTION OF THE NF LOGO ON THE PACKAGING OF THE NF-CERTIFIED PRODUCT

- The following NF monogram is to be used:



Products holding other Fire NF marks can be marked with the corresponding logos from the reference systems in question.

2.3 MARKING CERTIFIED AND ASSOCIATED CHARACTERISTICS

All documentation relating to an NF – Rigid Non-Plasticised PVC Pipes and Fittings certified product must use the following form:

- Name and address of the manufacturer,
- Identification of the Reference System on which the certification is based (see 2.4.2 of the body of the reference system),
- (Name and address of the delegate in France, if applicable),
- Designation of the product (trademark and trade reference),
- Licence or certificate number,
- The name or company name of the certification body or its collective Certification mark as well as its address,
- Certified product characteristics:
 - Dimensional characteristics (diameter, thickness, out-of-roundness, sockets),
 - Tensile strength,
 - Impact resistance,
 - Leaktightness under negative pressure.

2.4 REPRODUCING THE NF LOGO ON DOCUMENTATION AND IN ADVERTISING (technical and commercial documents, labels, posters, advertising, Websites, etc.)

- The following NF monogram is to be used:



The black and white version of the NF logo can be used.

Products holding other Fire NF marks can be marked with the corresponding logos from the reference systems in question.

Part 3. APPLICANT/HOLDER QUALITY REQUIREMENTS

3.1 QUALITY CONTROL OPTION

The tests specified in these tables are to be performed with the number of specimens stipulated in the testing standards and addendums indicated in Technical Document 1 of this certification reference system specific to each product group, unless otherwise indicated in the tables.

For pipes:

Table 6

Measurements or tests (1)	Minimum sampling frequency	Solid-wall PVC
Dimensions: diameter, thickness, out-of-roundness Appearance Colour Marking	By extruder: 1 every 4 hours	X
Density	1 test per month on 1 type at random (1)	X
Vicat softening temperature	1 test every 3 months on 1 type at random (1)	X
Tensile properties	By extruder: 1 test per campaign (1) (3) (4)	X
Reversion	1 test on 1 specimen at the start of the campaign (2) (3) (1)	X
Impact resistance	1 test per campaign (2) (3)	X

- (1) Methods specified in Technical Document 1 part 2.
- (2) Campaign: for each extruder, the period between the start of manufacturing of a product reference number and the switch to the next number.
- (3) Complete this test at least once a week (if the campaign lasts more than a week).
- (4) Test to be completed on at least 5 specimens.

For fittings:

TABLE 7

Measurements or tests (1)	Minimum sampling frequency
Dimensions (spigots and sockets)	Injected fittings: - per machine, per type and per dimensions: . Once every 4 hours, with increased inspections at the start of the campaign (2 specimens during the first 2 hours of production) (2)
Density	Injected fittings: 1 test per month on 1 type at random
Vicat softening temperature	Injected fittings: 1 test every 3 months on 1 type at random
Oven test	1 test on 1 specimen per day, per machine, per type and per dimensions (2)

(1) Methods specified in Technical Document 1, Part 2.

(2) 1 specimen corresponding to as many fittings (cavities) as the mould used contains.

A campaign corresponds to the period between the start of manufacturing of a product reference number and the switch to the next number.

3.2 QUALITY MANAGEMENT OPTION

The implemented quality assurance plan must enable product compliance with the specifications of the standards and of this regulation.

Consequently, the manufacturer must complete or ensure completion of the specified tests per the frequencies defined in the quality assurance plan, certain tests being able to be considered "type" tests (for putting new equipment in place or using a new formulation, for example).

The dimensional quality control testing carried out on the same fittings from TD2 of this reference system are deemed to satisfy the dimensional verifications of this reference system.

Part 4. MONITORING ARRANGEMENTS BY CSTB

4.1 TEST PROCEDURES DURING AN APPLICATION FOR ADMISSION

For pipes in the Discharge family – Solid-Wall PVC pipes for rainwater intended for siphonic systems:

TABLE 8

Measurement or test	Tests conducted in the factory	Tests conducted in the laboratory
Average external diameter* Appearance Marking Colour Length Any diameter Thickness Sockets (depth of groove)	All the types submitted for admission	-
Density (1)	1 test (choice of type and category)	1 test
Vicat softening temperature (1)	1 test (choice of type and category)	1 test
Tensile characteristics (maximum stress and elongation at break) (1)	1 test (choice of category), except in the case where this test is a type test	1 test per type sampled
Reversion at 150°C (1)	1 test (choice of category)	1 test per type sampled
Impact resistance (1) NF EN 744	1 test	1 test per type sampled

(1) With additional clarifications indicated in **Technical Document 1, Part 2**.

(*) Case of manufacturers holding the NF Mark TD2: the range admitted in TD6 being geometrically identical to the range admitted in TD2, inspection of dimensions will not be performed. Only the TD6 range not matching TD2 will be inspected; this TD6 range is distinguished by angles and Z- and H-lengths different from those of TD2. A list of this range shall be made available in the factories during an audit by the certification body.

For fittings in the Discharge family – Solid-Wall PVC fittings for rainwater intended for siphonic systems:

TABLE 9

Measurement or test	Tests conducted in the factory	Tests conducted in the laboratory
Average external diameter** Appearance Marking Colour Thickness Assembly dimension Sockets	All the types submitted for admission: by dimensional inspection of stock on at least half the range presented and by verification of the inspection registers for the entire range	-
Vicat softening temperature (1)	1 test	1 test
Density (1)	1 test	1 test
Oven test at 150°C (1)	1 test per fitting sampled (*)	1 test per fitting sampled (*)
Leaktightness under negative pressure	-	1 test on 1 expansion sleeve
Quality of elastomer sealing rings	-	1 report of tests provided by the manufacturer of elastomer sealing rings.

(1) With additional clarifications indicated in Technical Document 1, Part 2.

(*): Limited to 4 fittings.

(**) Case of manufacturers holding the NF Mark TD2: the range admitted in TD6 being geometrically identical to the range admitted in TD2, inspection of dimensions will not be performed. Only the TD6 range not matching TD2 will be inspected; this TD6 range is distinguished by angles and Z- and H-lengths different from those of TD2. A list of this range shall be made available in the factories during an audit by the certification body.

4.2 TEST PROCEDURES DURING MONITORING OF CERTIFIED PRODUCTS

For pipes in the Discharge family – Solid-Wall PVC pipes for rainwater intended for siphonic systems:

TABLE 10

Measurement or test	Tests conducted in the factory		Tests conducted in the laboratory
	Quality control	Quality management	
Average external diameter Appearance Marking Colour Length Any diameter Thickness Sockets (depth of groove)	5 types per visit divided between each family admitted and product category		-
Density (1)	Inspection of test records		1 type per year
Vicat softening temperature (1)	Inspection of test records		1 type per year
Tensile characteristics (maximum stress and elongation at break) (1)	Inspection of test records		1 type per year
Reversion at 150°C (1)	1 type at each visit (choice of category)	1 type per year (choice of category)	1 type per year
Impact resistance (1) NF EN 744	1 type at each visit (choice of category)	1 type per year (choice of category)	1 type per year

(1) With additional clarifications indicated in Technical Document 1, Part 2.

For fittings in the Discharge family – Solid-Wall PVC fittings for rainwater intended for siphonic systems:

TABLE 11

Measurement or test	Quality control		Quality management
	Quality control	Quality management	
Appearance (2) Marking Colour Average external diameter Any diameter Thickness of the fitting's body	3 diameters per visit and per category (choice of type)		-
Sockets	3 diameters per visit and per category (choice of type)		-
Vicat softening temperature (1)	Inspection of test records		1 diameter per year
Density (1)	Inspection of test records		1 diameter per year
Oven test at 150°C (1)	3 diameters per visit (choice of type and category)	3 diameters per year (choice of type and category)	1 diameter per year
Leaktightness under negative pressure	-	-	1 test on 1 expansion sleeve

(1) With additional clarifications indicated in Technical Document 1, Part 2.

(2) Case of manufacturers holding the NF Mark TD2: the range admitted in TD6 being geometrically identical to the range admitted in TD2, inspection of dimensions will not be performed. Only the TD6 range not matching TD2 will be inspected; this TD6 range is distinguished by angles and Z- and H-lengths different from those of TD2. A list of this range shall be made available in the factories during an audit by the certification body.